

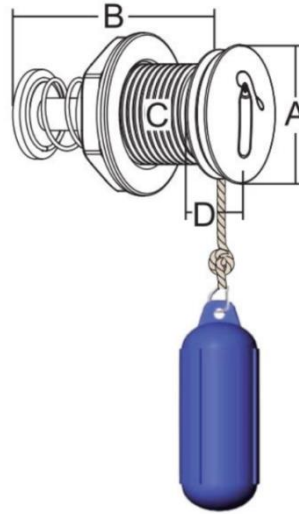
GM-PUFH Stainless Steel 316 Pull Up Fender Hook

Features

- Clean and elegant design
- Designed to fit different line sizes
- Pull and turn the knob to position, allowing quick and effortless work on attaching or removing fenders
- Spring loaded hook for line security
- Contact Gripwell for customised logo

Material

- Stainless steel 316



Part No.	A	B	C	A	Fender Line Ø
GM-PUFH-A308381	34	51	25	8	6 ~ 8
GM-PUFH-A308382	47	71.5	34.5	10.5	8 ~ 13

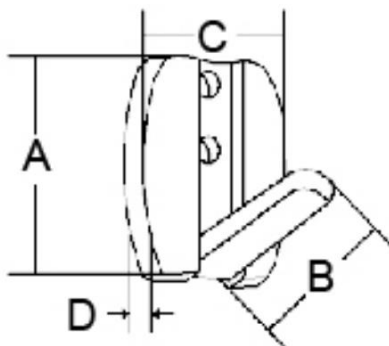
GM-FH Stainless Steel 316 Folding Hook

Features

- Compact design
- Folds flat when not in use
- Screw size #8

Material

- Stainless steel 316



Part No.	D	B	C	D
GM-FH-J014201	50	50	28	14